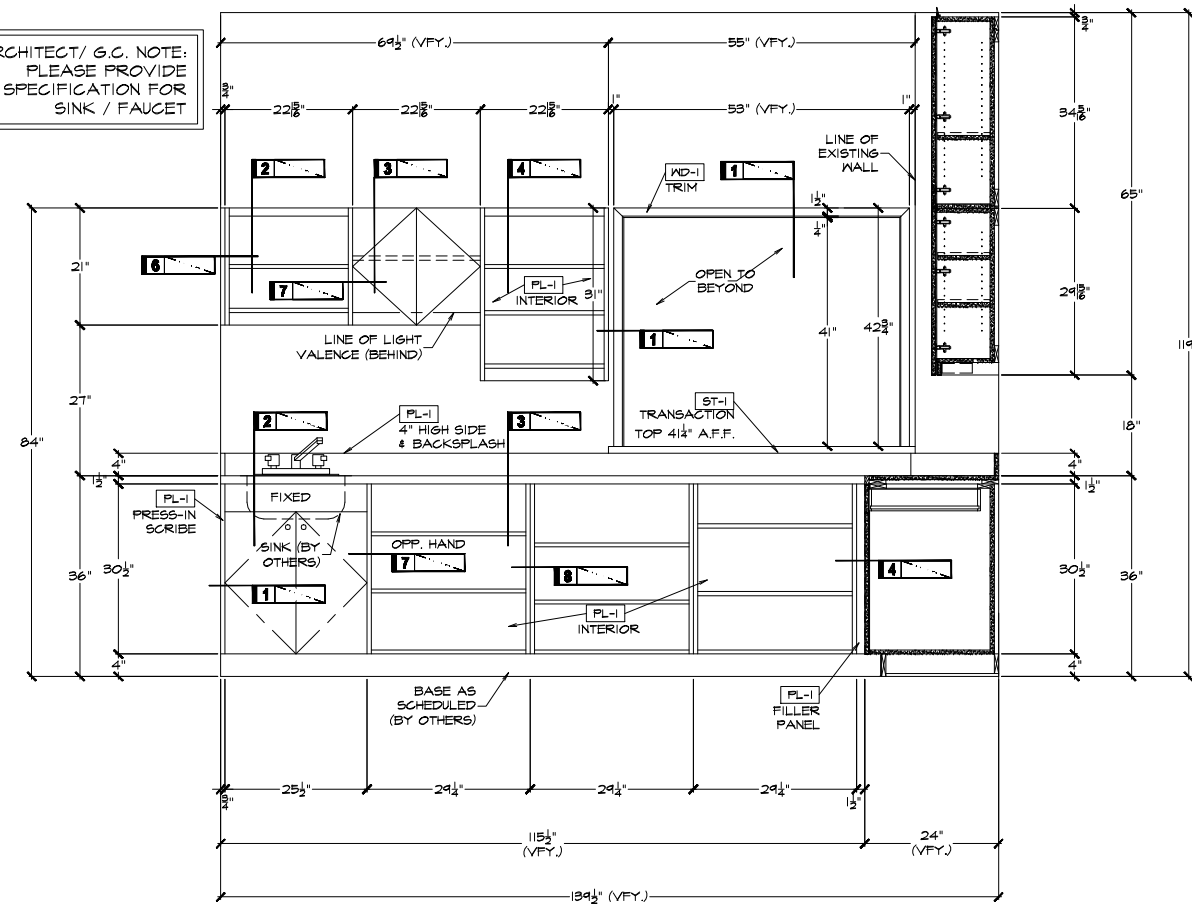
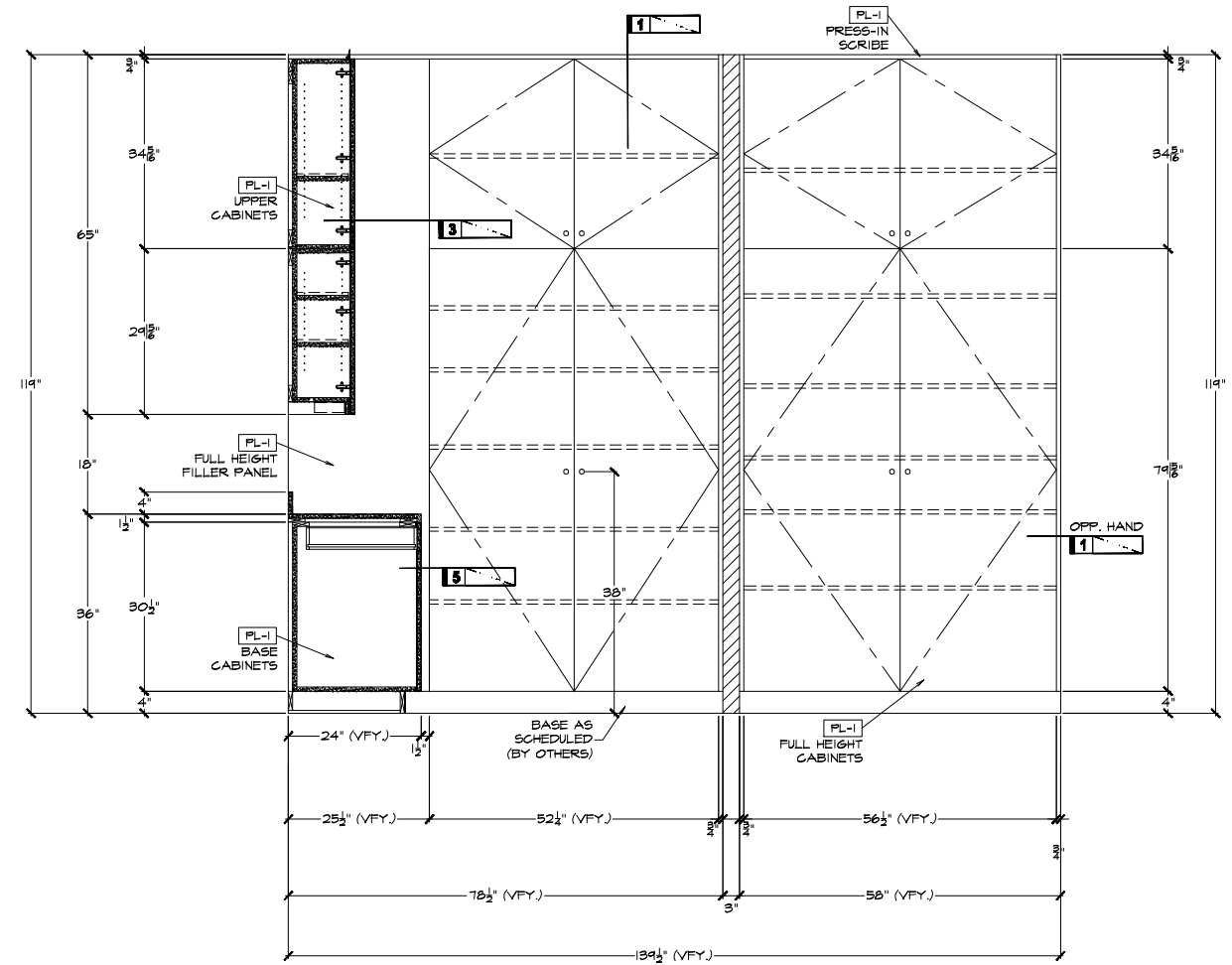


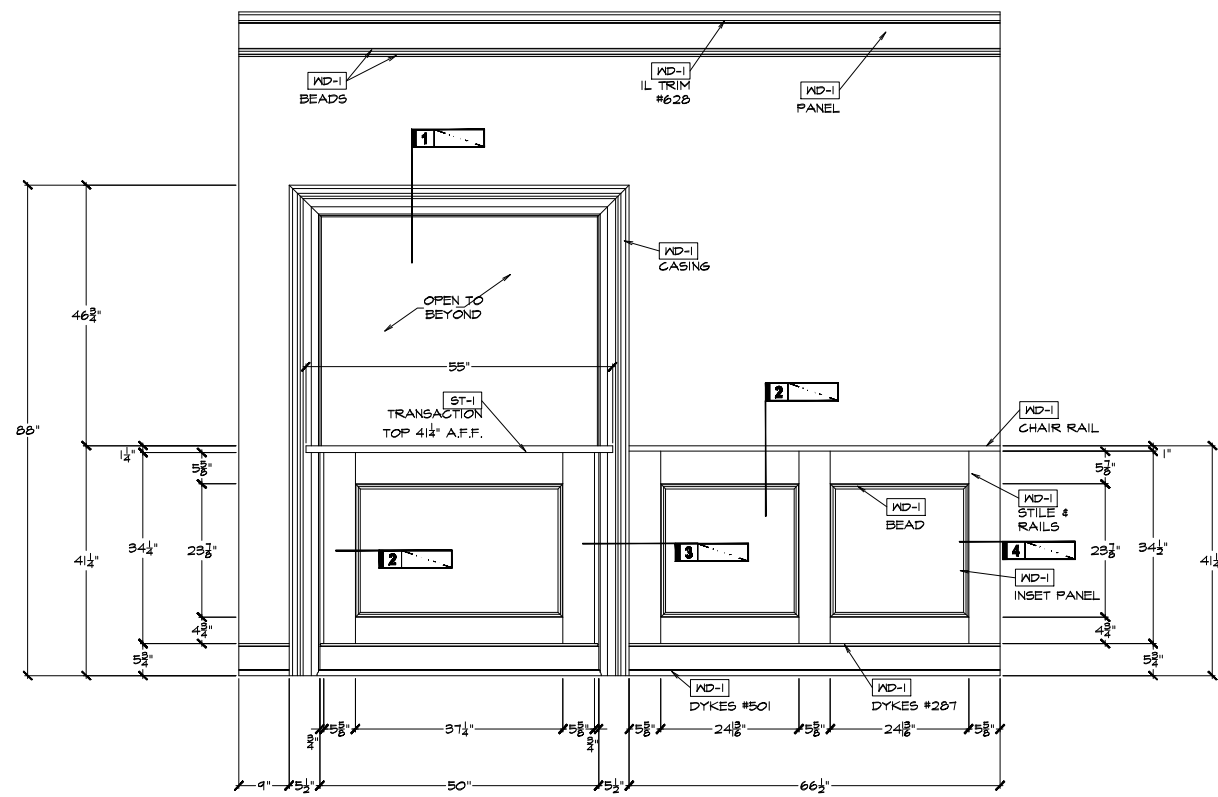
ARCHITECT/ G.C. NOTE:
PLEASE PROVIDE
SPECIFICATION FOR
SINK / FAUCET



1 400.2 ELEVATION @ MENS LOCKER ROOM ATTENDANT #119
SCALE: 3/4" = 12"
REF: 3/A817

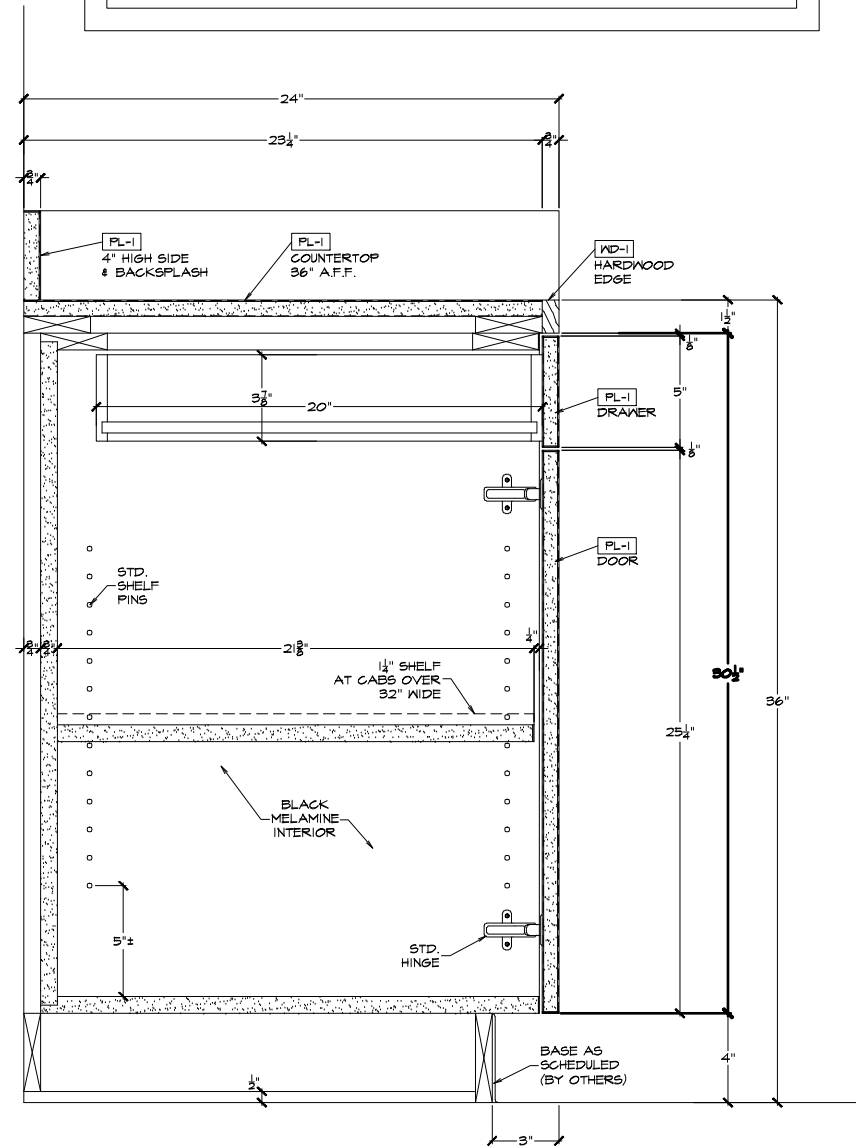


2 400.2 ELEVATION @ MENS LOCKER ROOM ATTENDANT #119
SCALE: 3/4" = 12"
REF: 4/A817



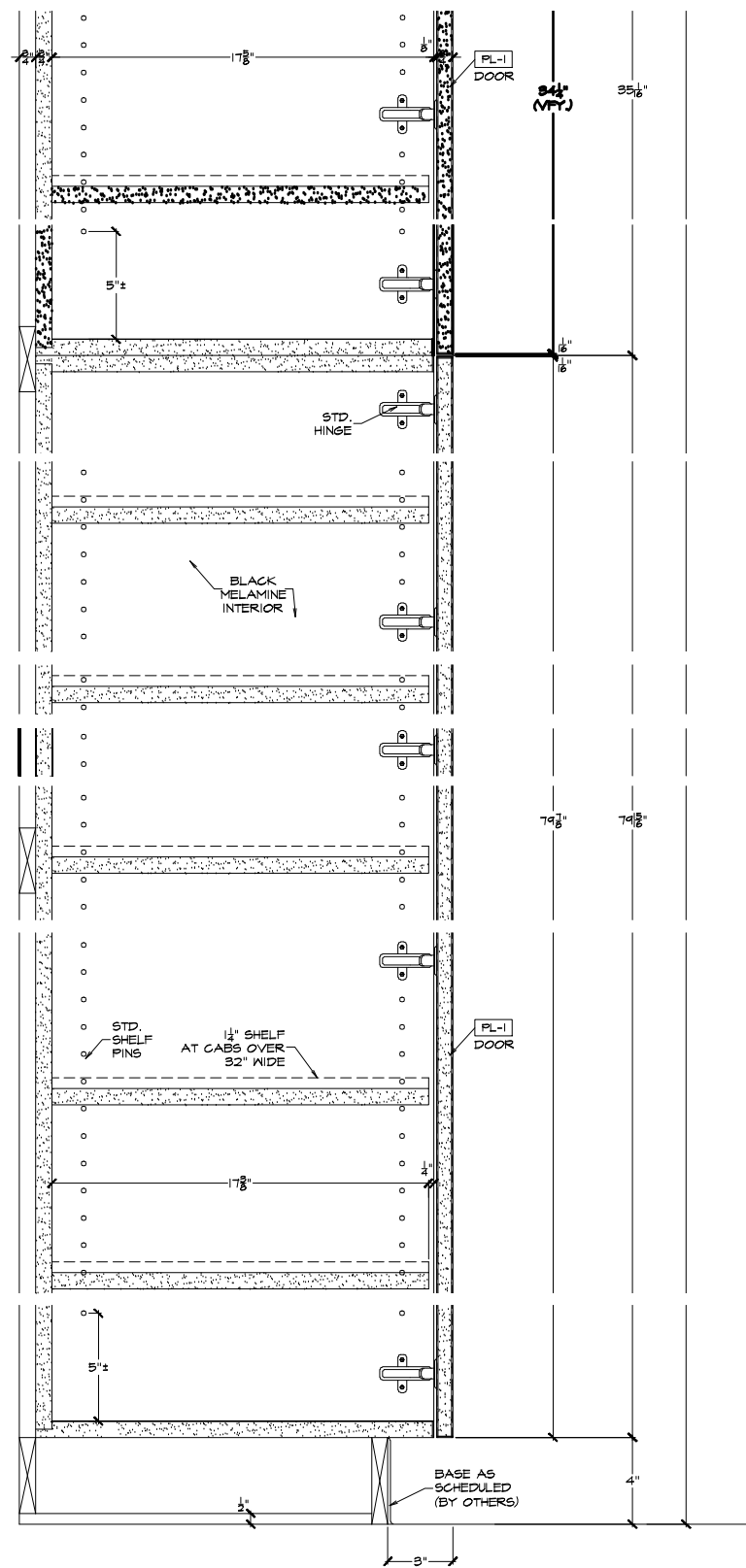
1 400.3 ELEVATION @ MENS LOCKER ROOM ATTENDANT #119
 SCALE: 3/4" = 12" REF: 3/A803

ARCHITECT/ G.C. NOTE:
 PLEASE PROVIDE
 SPECIFICATION FOR
 PULL

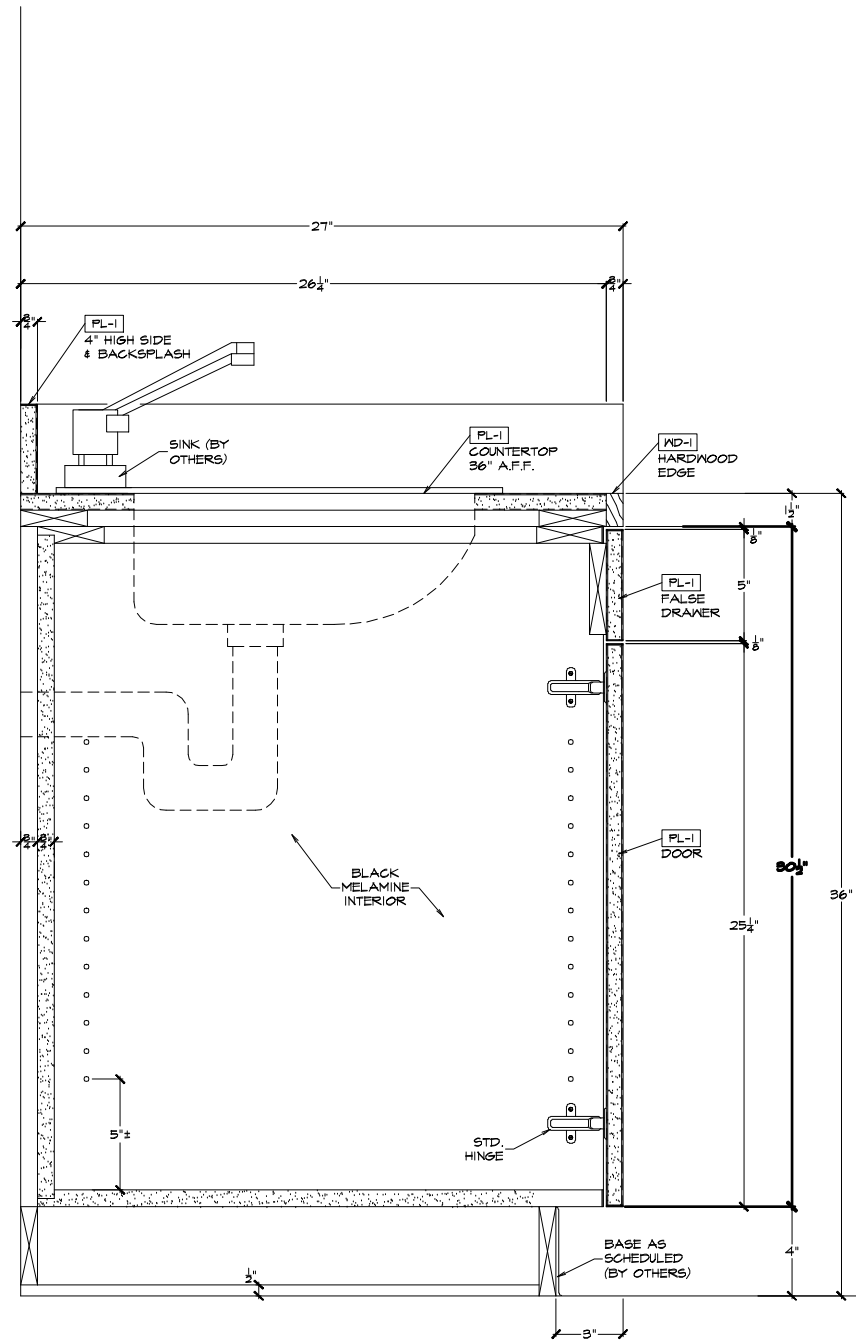


2 400.3 SECTION @ DRAWER/DOOR BASE CAB.
 SCALE: 3/4" = 12" REF: 7/A817

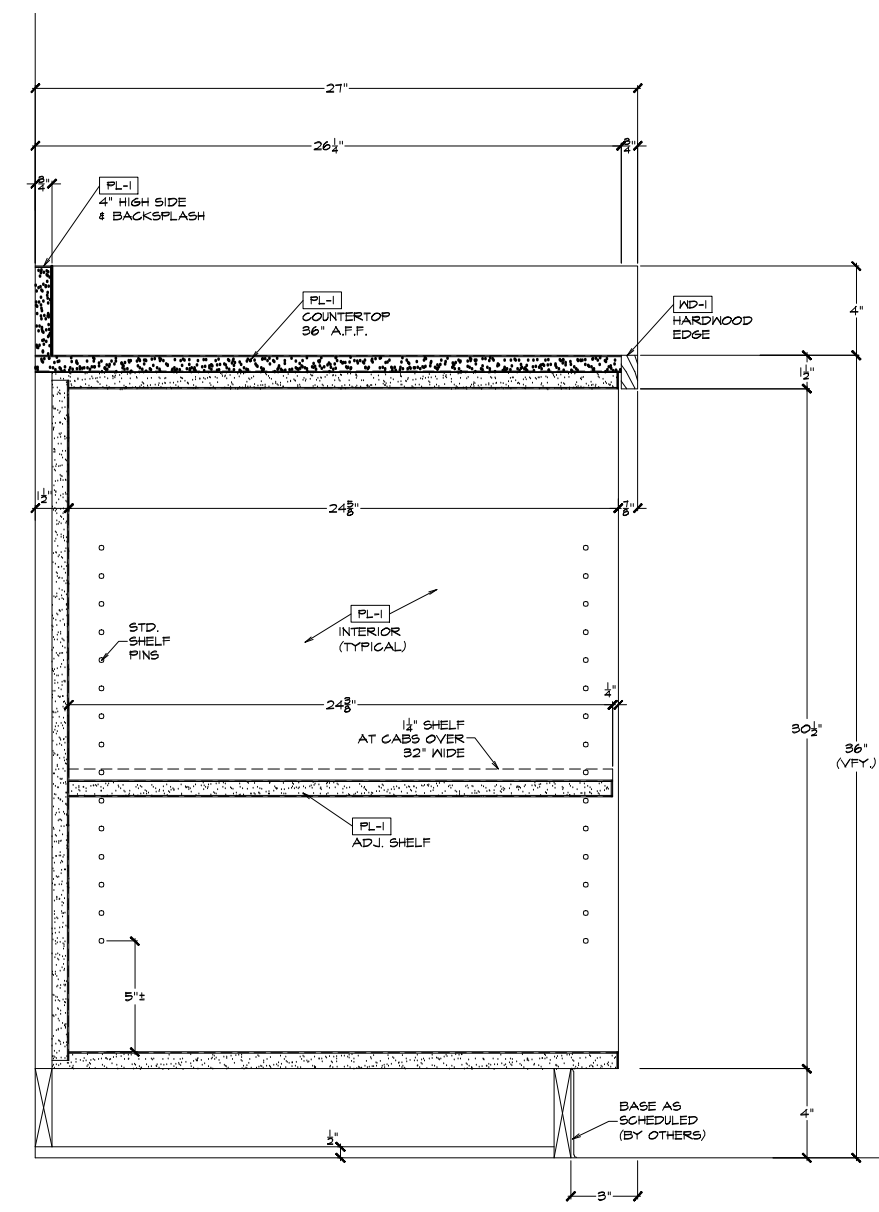
ARCHITECT/ G.C. NOTE:
PLEASE PROVIDE
SPECIFICATION FOR
PULL



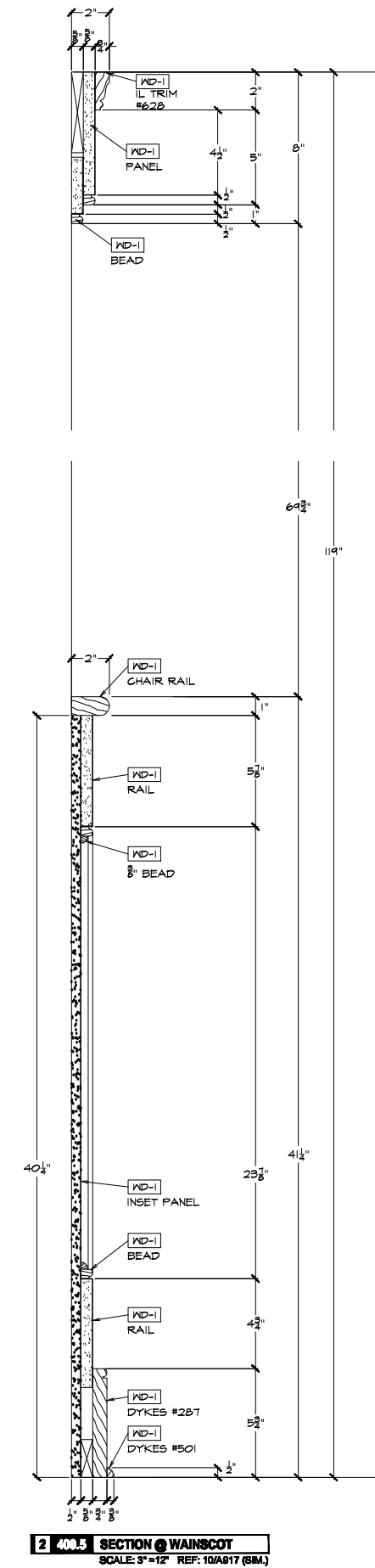
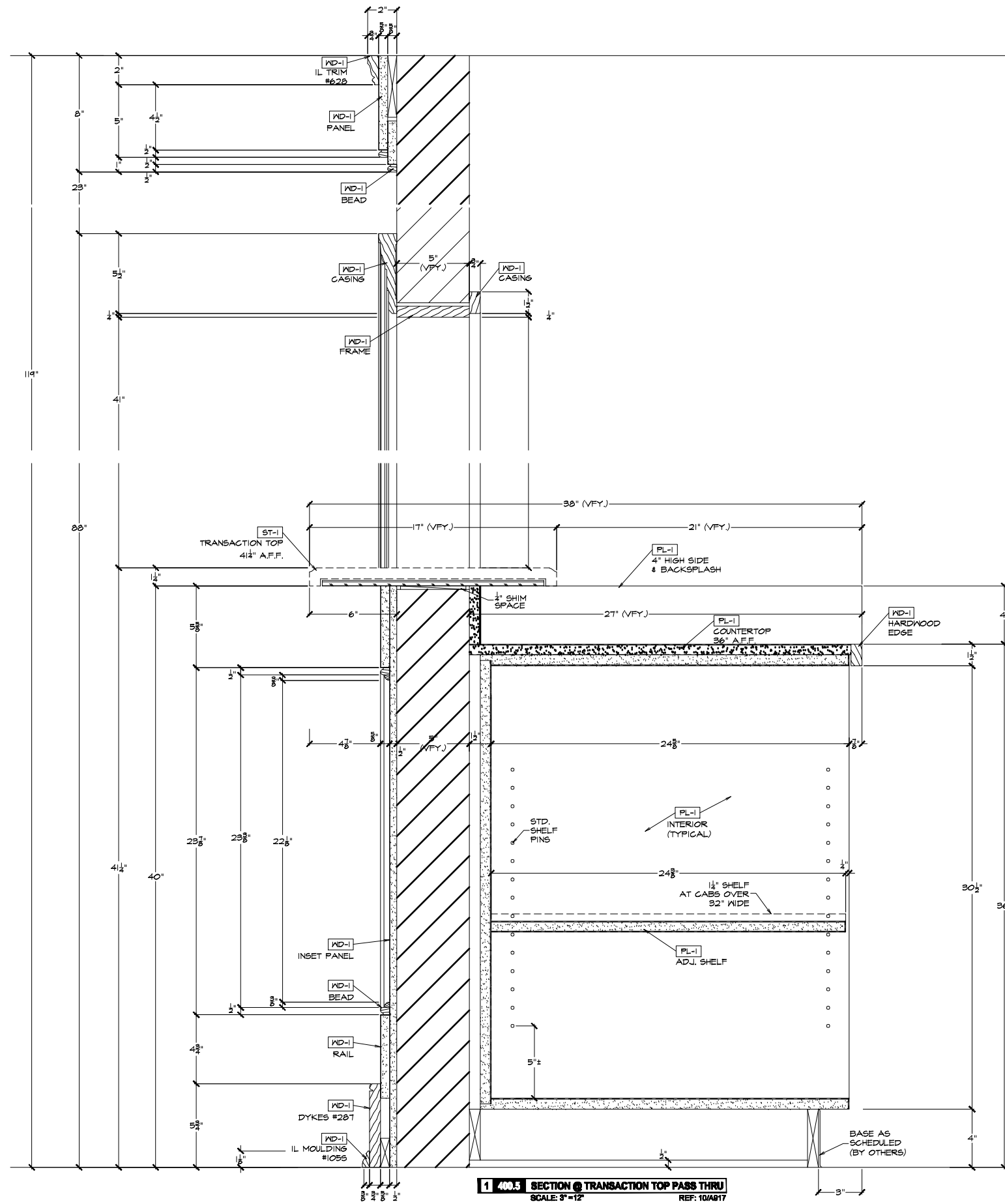
1 400.4 SECTION @ FULL HEIGHT STORAGE CABINET
SCALE: 3"=12" REF: 8/A817

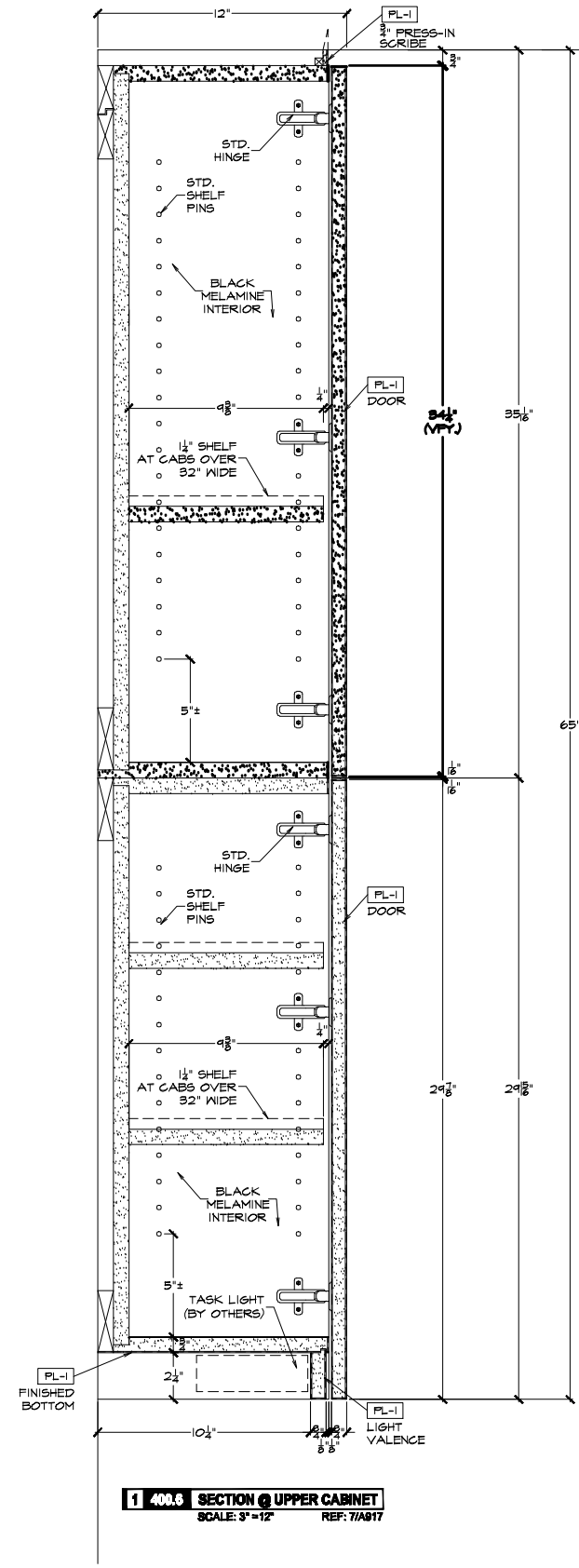


2 400.4 SECTION @ SINK CABINET
SCALE: 3"=12" REF: 8/A817



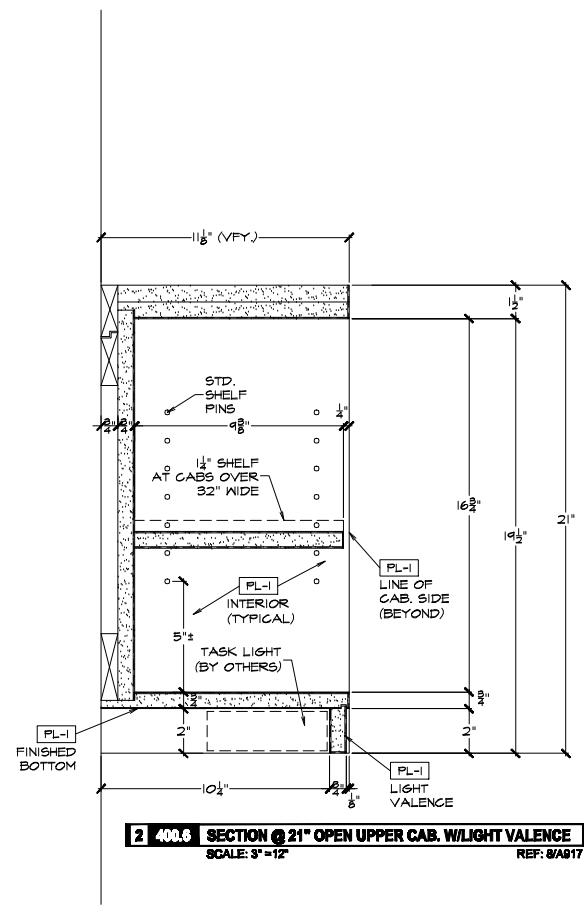
3 400.4 SECTION @ OPEN BASE CABINET
SCALE: 3"=12" REF: 8/A817



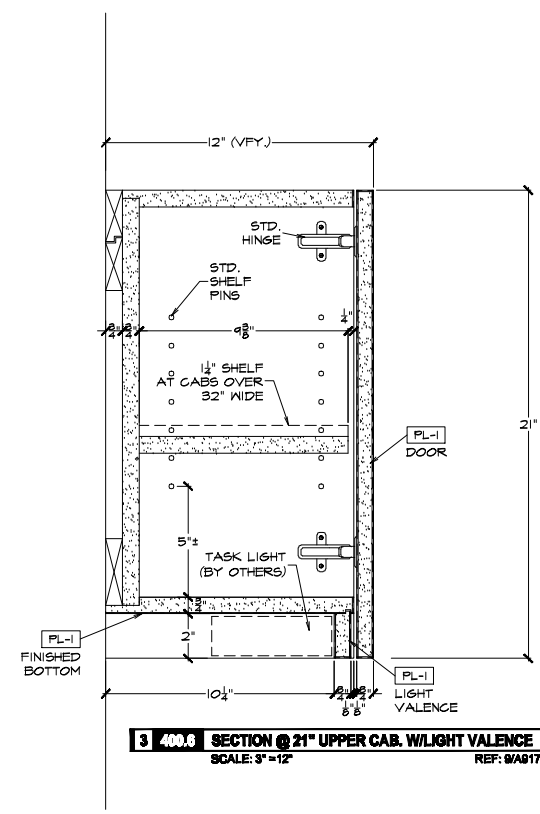


1 400.0 SECTION @ UPPER CABINET
SCALE: 3" = 12" REF: 7/A017

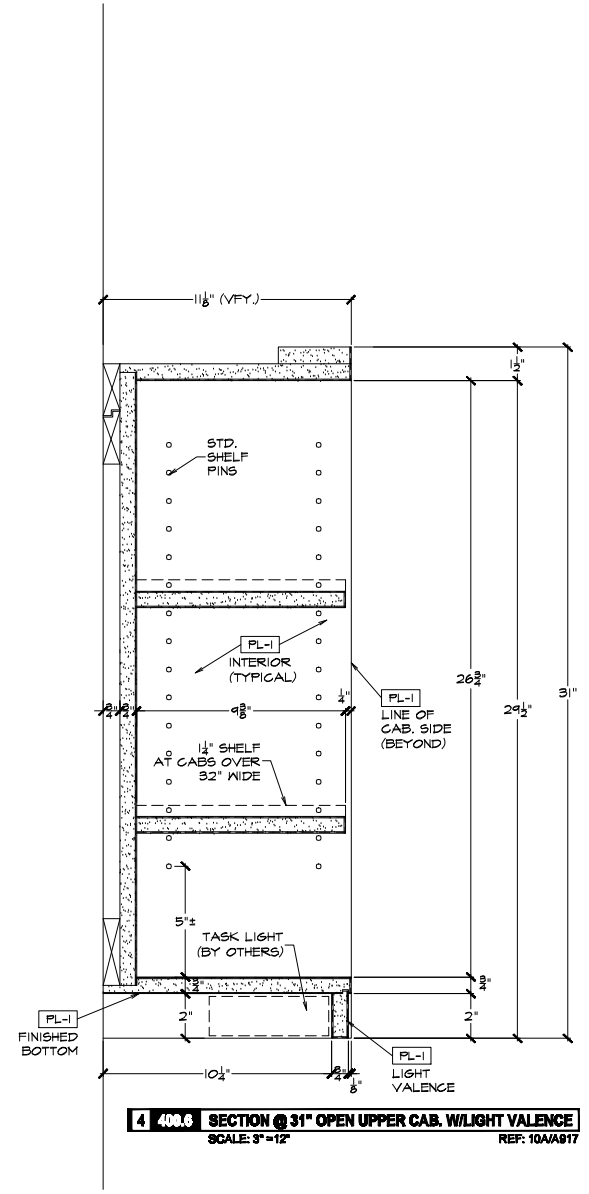
ARCHITECT/ G.C. NOTE:
PLEASE PROVIDE
SPECIFICATION FOR
PULL



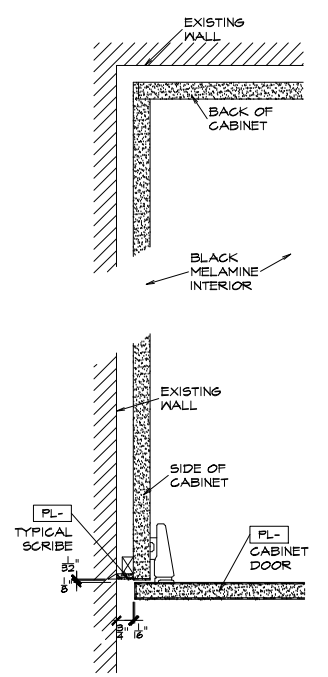
2 400.0 SECTION @ 21" OPEN UPPER CAB. W/LIGHT VALENCE
SCALE: 3" = 12" REF: 8/A017



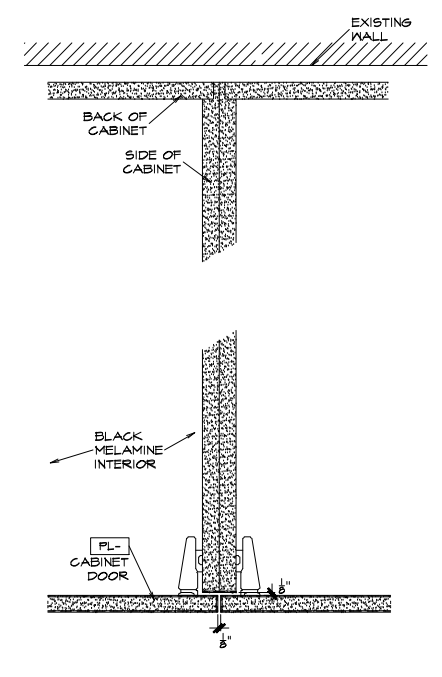
3 400.0 SECTION @ 21" UPPER CAB. W/LIGHT VALENCE
SCALE: 3" = 12" REF: 9/A017



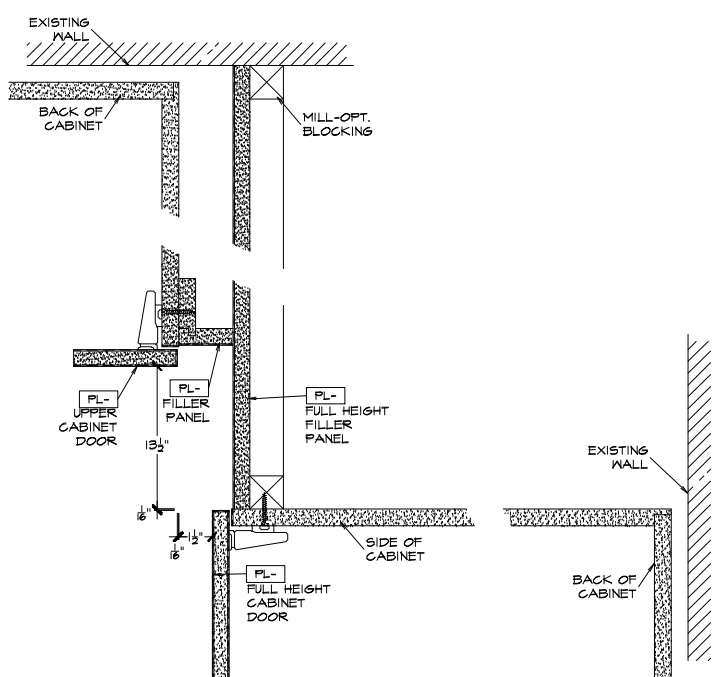
4 400.0 SECTION @ 31" OPEN UPPER CAB. W/LIGHT VALENCE
SCALE: 3" = 12" REF: 10/A017



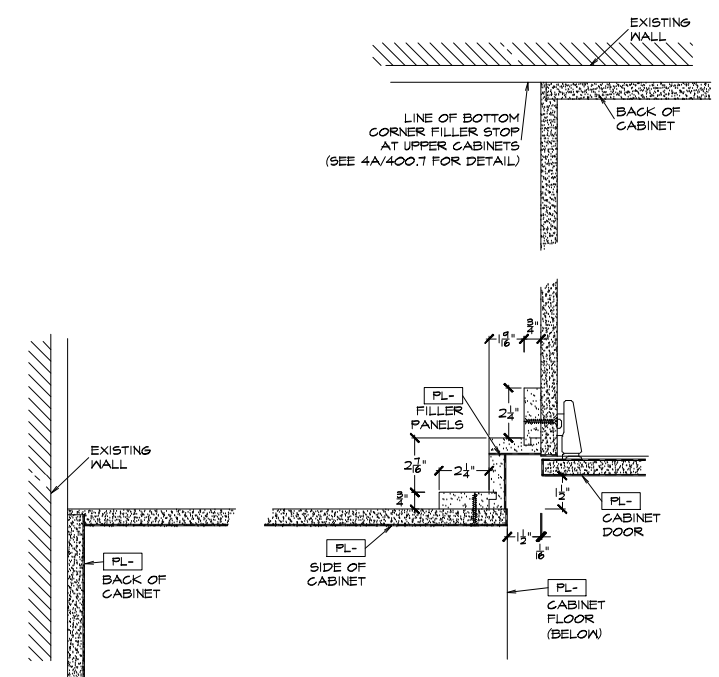
1 400.7 TYPICAL END SCRIBE DETAIL
SCALE: 3"=12" REF: NONE



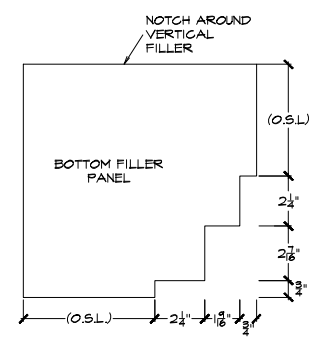
2 400.7 DETAIL @ CAB. DOOR/DOOR INTERSECTION
SCALE: 3"=12" REF: NONE



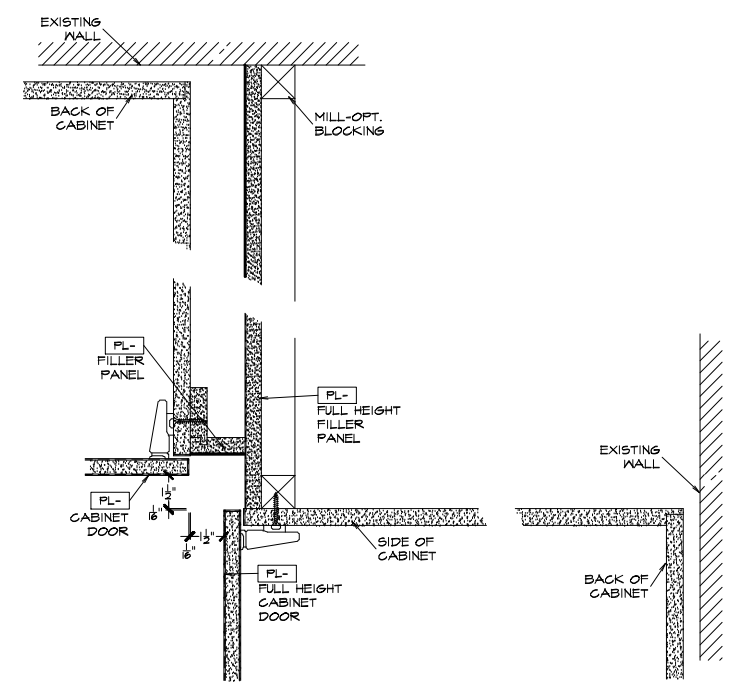
3 400.7 DETAIL @ CAB./CAB. INSIDE CORNER W/F.H. FILLER PANEL
SCALE: 3"=12" REF: NONE



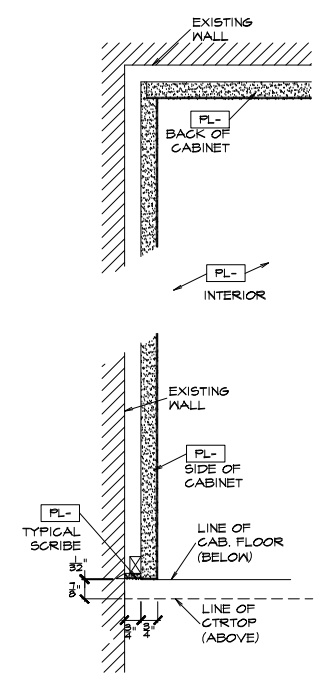
4 400.7 DETAIL @ CABINET/CABINET INSIDE CORNER
SCALE: 3"=12" REF: NONE



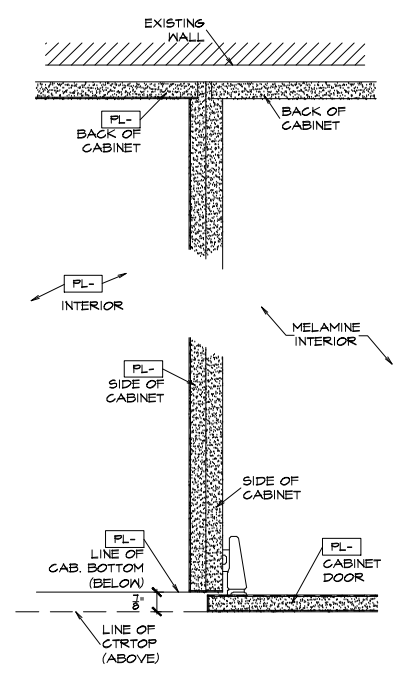
4A 400.7 BOTTOM CORNER FILLER PANEL DETAIL
SCALE: 3"=12" REF: NONE



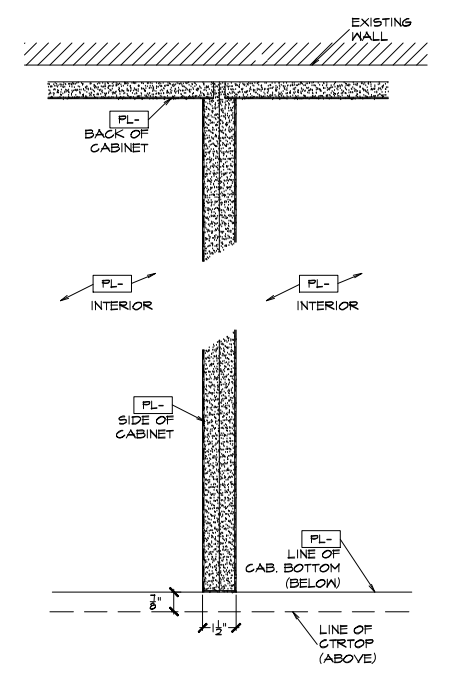
5 400.7 DETAIL @ CAB./CAB. INSIDE CORNER W/F.H. FILLER PANEL
SCALE: 3"=12" REF: NONE



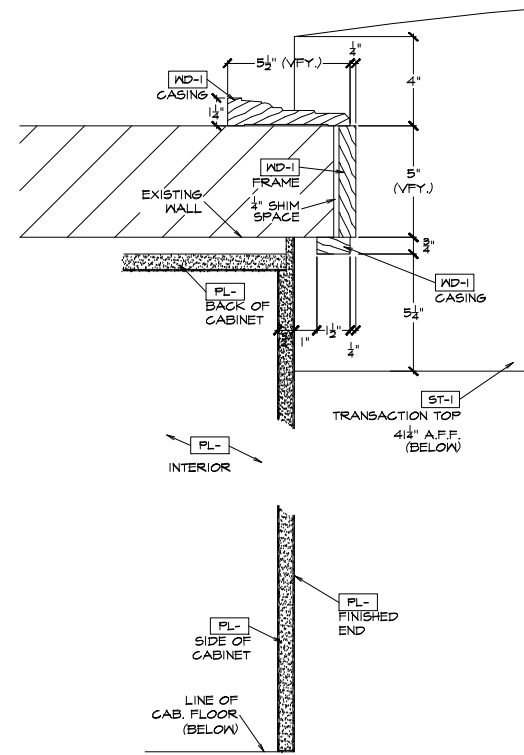
6 400.7 TYPICAL END SCRIBE DETAIL @ OPEN CAB.
SCALE: 3"=12" REF: NONE



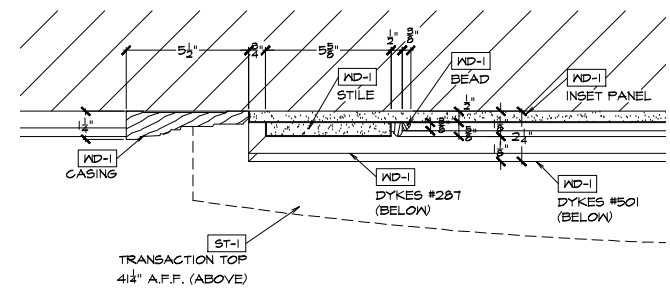
7 400.7 DETAIL @ OPEN CAB/CAB W/DOOR INTERSECTION
SCALE: 3"=12" REF: NONE



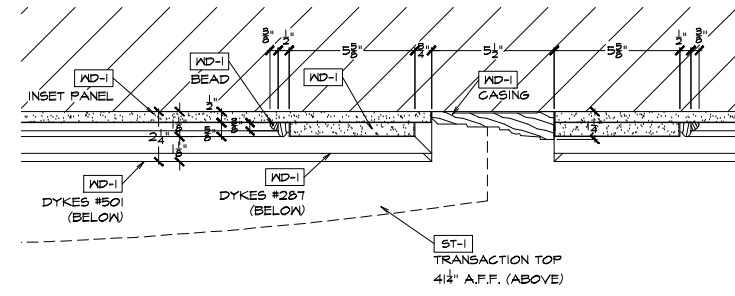
8 400.7 DETAIL @ OPEN CAB./OPEN CAB. INTERSECTION
SCALE: 3"=12" REF: NONE



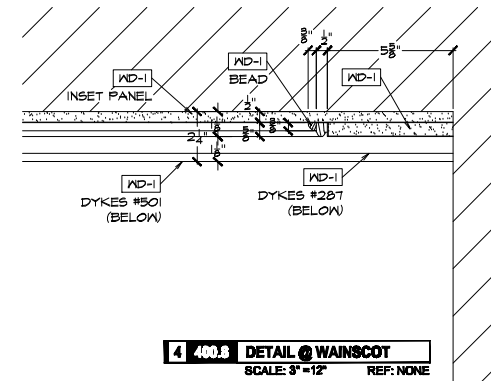
1 400.0 DETAIL @ OPEN CAB/PASSTHRU
SCALE: 3"=12" REF: NONE



2 400.0 DETAIL @ PASSTHRU PANELING/CASING
SCALE: 3"=12" REF: NONE



3 400.0 DETAIL @ PASSTHRU PANELING/CASING/WAINSCOT
SCALE: 3"=12" REF: NONE



4 400.0 DETAIL @ WAINSCOT
SCALE: 3"=12" REF: NONE